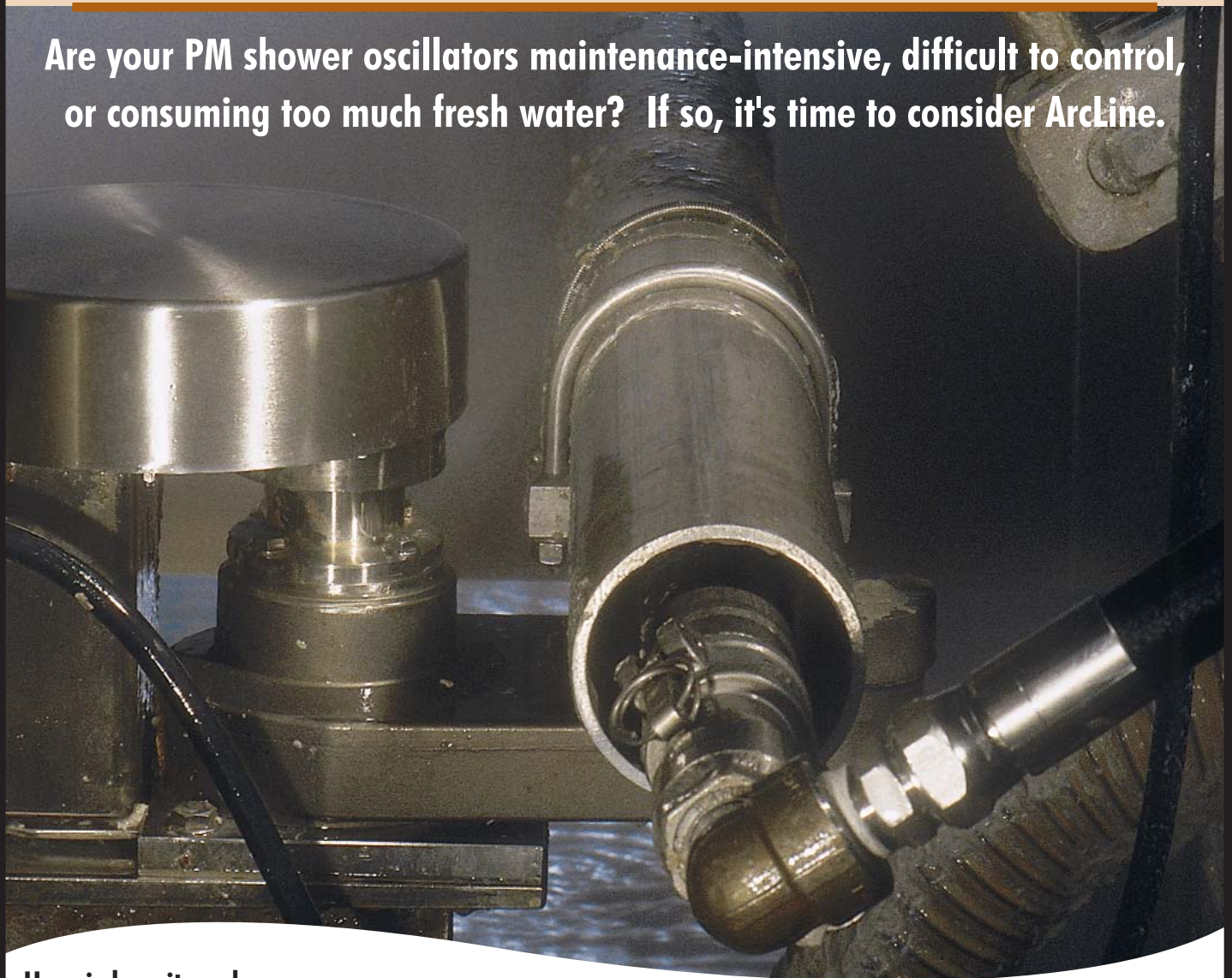


IF YOU'RE HAVING PROBLEMS  
WITH PM SHOWER OSCILLATORS,  
MAYBE IT'S TIME TO MOVE UP TO ARCLINE™?

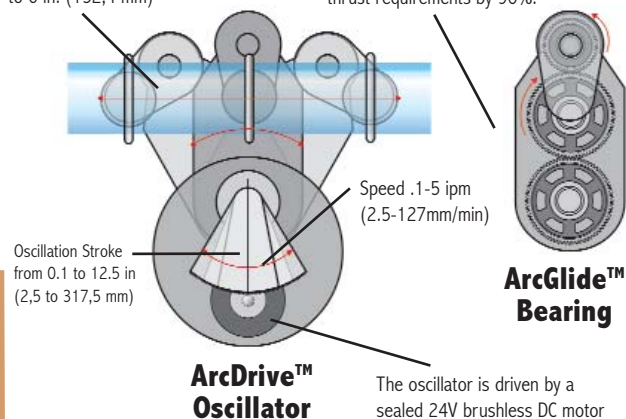
Are your PM shower oscillators maintenance-intensive, difficult to control, or consuming too much fresh water? If so, it's time to consider ArcLine.



Here is how it works:

Accommodates pipe sizes  
to 6 in. (152,4 mm)

Oversized gears and shower weight transfer to  
double-row angle contact bearing reduces typical  
thrust requirements by 90%.



ArcLine shower oscillators ensure precise, virtually  
maintenance-free fabric cleaning. They are truly revolutionary.

The patented ArcGlide bearing converts the movement of  
counteracting arcs into perfectly linear motion of the shower pipe.  
Low oscillation force and simple straight-line thrust translate into  
long life and virtually maintenance-free performance.

No reciprocating oscillators. No sleeve bearings. Virtually  
impervious to heat and moisture – a *papermaker's friend and a  
maintenance person's dream!*



*The Right Solutions to Tough Problems*  
Queensbury, NY 12804 USA Phone (518) 793-8801 · Fax (518) 793-9392  
©2000 AES Engineered Systems

